

Making favorite & reliable trucks



2023.08.22 Chongqing Test Field -35 °C Cold Start Experiment



2023.08.23 Chongqing Experimental Field Rollover Experiment

Z3 Tractor				
Driving Type		4×2	6×4	
Picture				
Length Parameters	Overall Dimensions of Chassis	Length(mm)	7525	
		Width(mm)	2550	
		Height(mm) (empty load)	(3930-3980)±30	
Wheelbase(mm)		5150	4450+1350	
Weight parameters	Gcw(kg)	<42000	<48000	
	Curb Weight(kg)	8500	8900	
Performance Parameters	Maximum Speed(km/h)	110	110	
	Economic Speed (km/h)	55-85	55-85	
	Maximum Gradeability(%)	28%	28%	
	Minimum Ground Clearance (mm)	216-271	216-271	
	Fifthwheel Grand Clearance(mm)	≤ 1150	≤ 1150	
Main Configuration	Engine	Brand	Cummins	
		Horsepower(ps)	560	
		Emission Standard	Euro V	
	Transmission	Brand	Eaton	
		Type	AMT	
		Gear Shift	12	
	Retarder		Voith Retarder	Voith Retarder
	Front Axle	Brand	Hande	
		Model	HDZ73	
		Differential	√	
	Rear Axle	Brand	Hande	
		Model	HDZ469/single reduction axle/ 3.7	
		Differential	√	
	Suspension	Type	Front fixed suspension and rear airbag suspension	
		Pattern	2 front 4 rear airbag leafspring	
Frame		(970-850)×270/8		
Fifthwheel	Brand	JOST,HYVA		
	Specifications	50#		
Tyres		315/60R22.5、315/70R22.5、315/80R22.5		
Cab type		conventional cab		
cold area Configurations(Optional)		Thermal insulation cab,water heaters,air heaters,lithium battery,Harness for low temperature use,Electric heating oil sensor		
SecurityConfigurations		ABS、ESC、AEBS、LDW、FCW,360-degree view,blind zone monitoring,fuel anti-theft alarm,brake pad wear alarm		
ComfortConfigurations		10-inch intelligent central control system,one-key start, main seat with airbag and ventilated & heated functions,tire pressure monitoring,car refrigerator,car water dispenser,speaker system, bass car speakers, air conditioner,1200W car power inverter		

Remarks:
 ①The maximum speed and economic speed are matched according to the reference rear axle speed ratio, the speed ratio is only for reference, and you can choose the appropriate speed ratio according to the actual demand.
 ②The height of fifthwheel corresponds to the 315/60R22.5 tyres, if tyre figures changed, so does the height of fifthwheel.
 ③The minimum value of vehicle height and chassis ground clearance corresponds to 315/60R22.5 tyres, and the maximum value corresponds to 315/80R22.5 tyres.

SAGMOTO pursues an active policy of product development and improvement. For this reason, Sagmoto reserves the right to make changes relating to design and specification, its products and services and any information without prior notice. For further information in these respects, please contact your local dealer or visit www.sagmoto.com



Web site



whatsapp

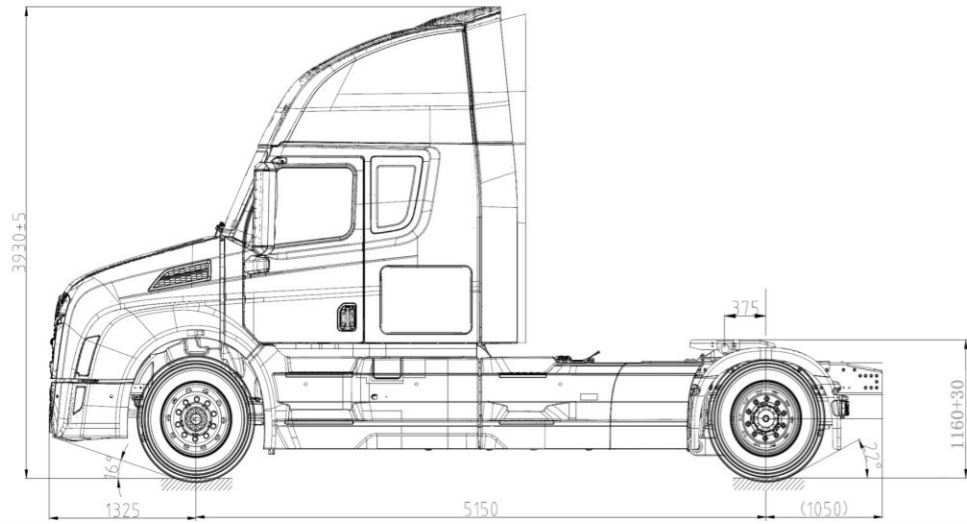


WeChat

SHAANXI AUTOMOBILE GROUP CO.,LTD
 SHAANXI RETOP INTERNATIONAL TRADING CO.,LTD

Add: 11th Floor, Lianyi Center, Fengcheng 7th Road
 Xi'an, Shaanxi, China
 E-mail:shacman@shacmangroup.com
 Tel: 0086-29-88360668/whatsapp 0086-132892264927
 Http: //www.shacmangroup.com

High end configuration



Efficient

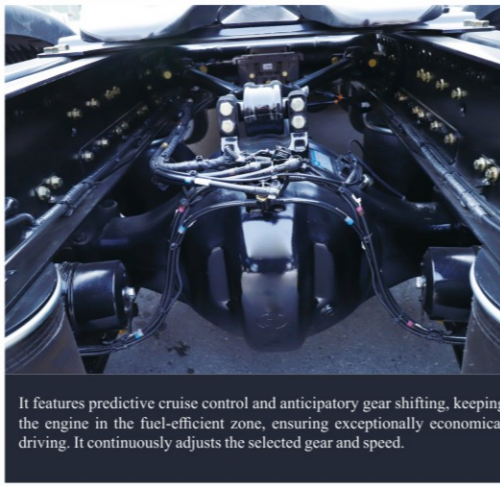
The hood, roof, lateral sides and all other areas have undergone analysis, design, and optimization to streamline airflow and minimize wind resistance, creating a more efficient airflow pathway. The overall vehicle wind resistance coefficient is as low as 0.378.

Equipped with Cummins M13 engine, the horsepower ranges 560 horsepower, and the maximum torque can reach 2800N·m, providing a more powerful performance.

Eaton/Cummins automatic transmission provide smooth and precise shifting strategy, an extended oil change interval of 600,000 kilometers over five years, and industry-leading ultra-low lubricant consumption of 7.5 liters.

Equipped with dual fuel tanks(700L+300L), the total capacity can reach 1000L, meeting the needs of long-distance travel and reducing the frequency of refueling, thus improving operational efficiency.

For cold regions, matched with storage battery heating and Webasto engine heating system even under -35°C low temperature conditions, the preheating of the intake has reliable cold-starting performance.



Safe

High-intensity cab design, enclosed circular white frame, in line with the latest European safety standards, the 1,630 mm front crumple zone provides strong protection for the driver and passengers



Both the front axle and the rear axle are equipped with disc brakes, which effectively dissipate heat and enhance driving safety



In-depth cooperation with world-renowned brands Knorr and WABCO, integrating advanced braking technologies such as EBS, AEBS, ESC, and LDWS.



For driver's safety concern, Z series also has functions like brake pad wear alarm, tire pressure monitoring, emergency power main switch, fuel anti-theft alarm etc.



Z series is matched with a 360° surround view images and eliminating blind spots for drivers.



Under long downhill road condition, to reduce the use of brakes and avoid brake failure, Z3 is matched with Voith hydraulic retarder to realize deceleration.

Comfortable

Zenith cabin is spacious, the flat floor design allows an adult to stand and walk without obstacle.



- Through instrument and control button optimization, all vehicle information and control devices can be easily accessed from the driving position. Larger displays and intuitive controls allow you to fully focus on facing the challenges ahead.
- Ergonomic applications reposition the driver's position, with a focus on matching adjustable steering wheels and multifunctional adjustable seats, making it convenient for you to find the ideal driving position regardless of your physique.
- With a 920mm extra-wide lower sleeper, combined with independent heating and parking air conditioning, it allows the driver and passengers to rest comfortably and relax.
- The 1000L large-capacity storage space allows for a reasonable arrangement of all necessary items for long-distance travel.

