



5000 SERIES

Enjoy Ultimate Comfort

2025



Wechat



Whatsup



Website

X5000

L5000



X5000 MULTI-FUNCTIONAL TRANSPORTATION

Born for logistics

L5000 SHORT-DISTANCE TRANSPORTATION

Flexible hauler, faithful helper

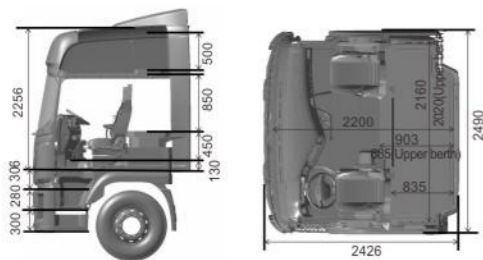




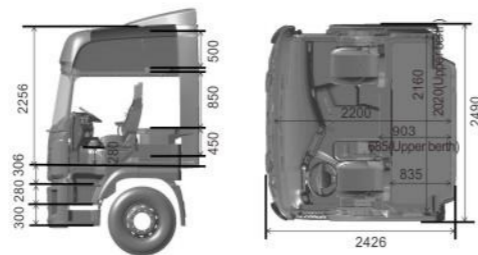
BORN FOR LOGISTICS

Multi-functional Transportation

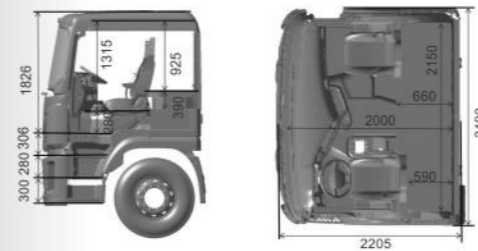
Cab



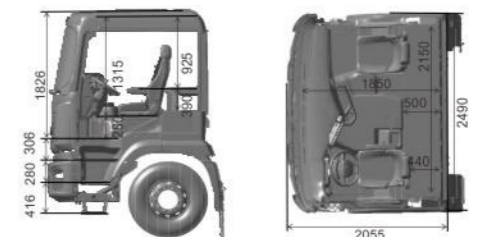
- Extended high-roof wide-body cab (flat floor)



- Extended high-roof wide-body cab (raised floor)



- Extended flat-roof wide-body cab



- Medium-length flat-roof wide-body cab

TAKE A LOOK THIS TOUGH GUY

• "Flying Wing" Side Mirrors

• "Shield" Front Facade

• Wave Grille

• Chrome Trim

• "Tiger-eye" LED Headlights



• Enamel Red



• Lightning Orange



• Starry Night Blue



• Glacial White

MORE MILES, LESS BILLS

VEHICLE AERODYNAMIC OPTIMIZATION

- 610mm extended deflector, height adjustable by 150mm

H-SERIES ENGINE

- Industry's highest thermal efficiency: 52.28%
- Electrically controlled high-efficiency turbocharging intake technology
- 27Mpa ultra-high explosion pressure with low heat transfer and fast combustion technology

HIGH-EFFICIENCY GAS ENGINE

- Intelligent transient control
- Twin-channel turbocharger
- High heat exchange rate radiator
- Annular high static pressure fan

H SERIES HIGH-EFFICIENCY FUEL-EFFICIENT AXLE

- Industry's highest efficiency: 98.8%
- Low friction multi-control technology

S SERIES INTEGRATED TRANSMISSION

- Industry's highest efficiency: 99.8%
- Intelligent AMT: 16-speed
- Integrated forced lubrication



DRIVER FOCUS



Unshaken, unperturbed

We focus on enhancing driver concentration through a series of efforts including acoustic-vibration coupling technology, transmission path blocking technology, shift ergonomic design, and precise calibration of damping resistance.

35%
reduction in
overall noise

25%
improvement in
smoothness

40%
reduction in
gear selection force



- Three-stage shock absorption system: high-quality chassis shock absorbers + precision calibrated cab shock absorption + seat wrap shock absorption, main seat vibration acceleration $\leq 0.058\text{m/s}^2$ at 70km/h.
- Multi-stage sealed cab: double-seal doors and skylight + 30mm soundproof floor mat, cab noise $\leq 65\text{dB}$ at 70km/h.
- Flexible shifting: uses pneumatic assisted shift structure, shift force reduced from 80N.m to 50N.m, smoother and easier shifting process.



REST AREA

- Beige "Pure Sensation" interior
- 910mm extra-large sleeper
- Dual LED lights: reading light + ambient light
- USB charging port by the pillow

WORK AREA

- Independent cockpit design: wrap-around driver's console layout
- Ventilated and heated air seat: headrest, lumbar support, seat depth full seat adjustment
- Color LED dashboard + optional 10-inch multifunctional screen
- Premium interior: three-dimensional stitching craftsmanship
- Classic piano key-shaped easy-to-reach switches
- Optional parking air conditioner
- Electrical fault alert

HUMANIZED THINKING, EVERYWHERE



OUTSIDE THE CAB

- Electrically heated mirrors
- Vertical pull-down door handle
- Side toolbox

USED WITH PEACE OF MIND

STEADY DRIVING, STEADY STOPPING

- AI-CARE ADAS: LDWS+FCW, EBS+ESC, AEBS, ASR.
- FHB400 Retarder: Maximum release torque of 4000N·m, easily handles long steep downhill braking scenarios.
- Optional Tire Pressure Monitoring System: Real-time detection and warning of abnormal tire pressure.
- 360° Panoramic Vision: 10-inch large screen + 6 high-definition cameras, fully aware of the surrounding world.

HARDWARE-LEVEL SECURITY PROTECTION

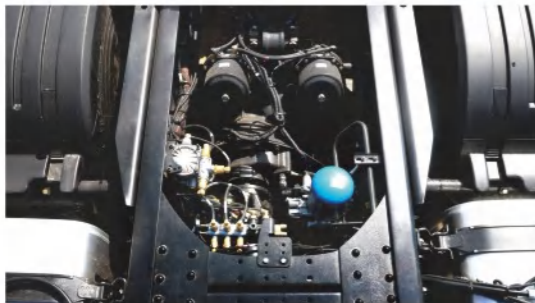
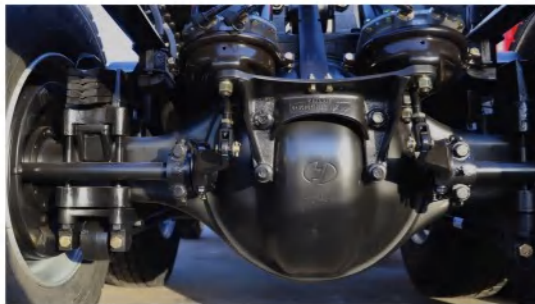
- Caged Frame Cab: Utilizing high-strength steel to effectively reduce collision deformation.
- Optional Smart Anti-Theft System: Continuous anti-theft monitoring even after parking.
- Fuel Tank Anti-Theft Mesh: Unidirectional fuel line to prevent fuel theft.
- LED Headlights: 100% increase in illumination distance, 50% improvement in lighting range, enhancing nighttime driving safety*

*Compared to halogen headlights

- Floating Integrated Rearview Mirrors: Wide viewing angle to reduce blind spots effectively.



SHOWCASING SHACMAN QUALITY

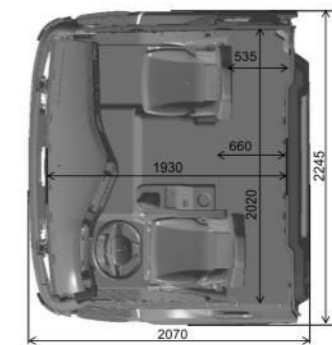
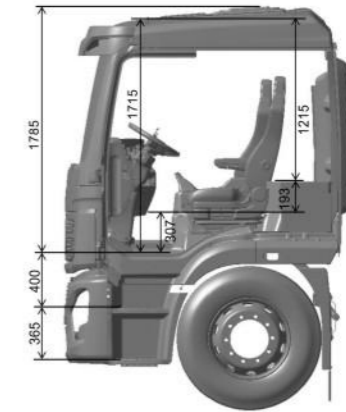


- Three-layer Reinforced Frame: specially designed for the ultra-strong load-bearing capacity of 6×4 dump trucks.
- Patented Engine Suspension Structure: four-point wedge suspension + leaf spring auxiliary support structure.
- Integrated Balance Shaft: for heavy-duty transportation scenarios, X5000 dump truck adopts patented reinforced balance shaft assembly + large diameter through shaft + auxiliary balance shaft technology, leading the industry in load-bearing capacity.
- High-quality Steering Gear: 120mm cylinder diameter steering gear provides a 24% increase in steering assist, with specially equipped heat dissipation steel tubes effectively reducing the oil temperature of the steering system.
- High reliability braking system: X5000 features a specially upgraded high-flow relay valve, with a response speed increase of over 13%, and a vehicle braking system air pressure as high as 10bar.





Cab



- Medium-length flat-roof narrow-body cab

Left-hand drive or right-hand drive options available.
Compatible with both fiberglass and metal bumpers.

FLEXIBLE HAULER, FAITHFUL HELPER

Short-distance Transportation

COMFORT ASSURED

LIVABLE MOBILE HOME

- Beige and matte black color contrasting interior
- Leather-like texture and three-dimensional stitching design
- Ergonomic air conditioning, optimized air duct design to avoid direct face blowing
- Variable displacement compressor for dynamically stable cooling temperature

STEADY JOY

- Front hydraulic and rear air suspension offer excellent shock absorption performance
- 8-speed TM series aluminum gearbox with small and evenly distributed gear gaps for smooth shifting.



SPACIOUS DRIVING SPACE

- Flat-bottom steering wheel provides wider legroom for the driver, facilitating entry and exit.
- AMT column shift design, saving floor space, allowing greater freedom of movement within the cabin.



To enhance vehicle fuel efficiency,
To augment vehicle load capacity,
To elevate vehicle maneuverability,
And most importantly, to propel your business to new heights,
the lightweight revolution is underway.

LIGHTWEIGHT REVOLUTION



LIGHTWEIGHT MATERIALS

- Aluminum alloy: gas tank, fuel tank, bumper frame, etc.
- High-strength steel: frame, leaf spring, etc.
- Composite materials: bumper, fender, etc.



RELIABLE PROCESSES

- Hot forming, semi-solid die casting, etc.



STRUCTURAL REVOLUTION

- The 6.8-meter new chassis design breaks through the traditional structural form.

400kg

Vehicle weight reduction

4.98t

Vehicle weight with six-cylinder engine



DELIVERY SECURED

BE STRONG WITHIN ONESELF

L5000 cab, constructed with high-strength steel frames, has undergone rigorous tests including front pendulum collision, A-pillar impact, and roof crush, meeting the ECE R29 collision regulations.

PEACE OF MIND ON NIGHT DRIVES

Equipped with LED headlights, L5000's low beams can reach up to 280 meters, while high beams extend to 500 meters.

COLORFUL AND IDENTIFIABLE

The colorful brake pipes of L5000 chassis are neatly routed and easily identifiable, facilitating troubleshooting and maintenance.





X5000 | TRACTOR

Drive		4×2			6×4		
GCW (t)		40	50	55	90	120	
Main configuration	Cab	Type	Extended high roof, Extended flat roof/Medium length flat roof				
		Suspension	Air/Hydraulic suspension				
		Seat	Air main seat/Hydraulic main seat				
		Air conditioner	Electric automatic constant temperature AC Single cooling AC				
	Engine	Model	WP10/WP12/WP13/WP13NG/M10/M13/X12				
		Emmission standard	EURO II-EURO VI				
		Rated power (hp)	350-480		400-560		
	Transmission	Model	MT(10/12/16)/AMT(12/13/16)				
	Axle	Front axle	7.5t			7.5/9.5t	9.5t
		Rear axle	13t	13t	11.5/13t	13/16t	16t
		Ratio	2.846/3.364/4.111	3.866/4.769	3.7/4.111/4.625	4.111/4.266/4.769	4.266/4.769/5.262
	Chassis	Dimension (mm)	(940-850)×300(single-layer 8)			850×300 (8+5)	850×300 (8+7)
		Wheel base (mm)	3200/3600/3800			3175+1400/3375+1400	
		Fuel tank	500L/600L/700L/1000L aluminum alloy				
Tire		295/80R22.5/315/80R22.5/11R22.5/12R22.5			12R22.5/12.00R20	12.00R20/12.00R24	
Suspension		Leaf spring suspension/air suspension	Leaf spring suspension	Leaf spring suspension/air suspension	Leaf spring suspension		
Saddle		L50/L90/JOST 50/JOST 90					
Applicable condition	Application	Long-distance standard load logistics transportation				Medium and short distance heavy-duty load highway transportation	
Basic equipment		Electric flip cab, multi-function steering wheel, power glass lift, Air main seat, electric heated mirrors, maintenance-free 180Ah battery, ABS					
Options		Fiberglass bumper, aluminum alloy gas cylinder					



X5000 | DUMP TRUCK

Drive		6×4	8×4		
GVW (t)		50	70	90	
Main configuration	Cab	Type	Extended flat roof/Middle-length flat roof		
		Suspension	Hydraulic suspension		
		Seat	Air/Hydraulic main seat		
		Air conditioner	Electric automatic constant temperature AC Single cooling AC		
	Engine	Model	WP10/WP12/M10/M13/X12	WP13/M13	
		Emmission standard	EURO II-EURO VI		EURO V
		Rated power (hp)	385-400	400-520	550/560
	Transmission	Model	MT(10/12)/AMT(13)		MT(12)
	Axle	Front axle	9.5t		
		Rear axle	16t		
		Ratio	5.262/5.92	5.262	
	Chassis	Dimension (mm)	850×300(8+7)		850×320(8+7+8)
		Wheel base (mm)	3775+1400	1800+3775+1400	
		Wheel overhang (mm)	850	1000	
		Fuel tank	400L/500L aluminum alloy	300L/400L/600L aluminum alloy	
		Tire	315/80R22.5/12.00R20/12.00R24		
Suspension		Leaf spring suspension			
Tipper container		5600×2300×1500	7400×2300×1500		
Applicable condition	Application	Short and medium distance urban construction waste transportation	Medium and short distance heavy-duty load mining engineering transportation		
Basic equipment		Electric window lifter, water tank protection railing			
Options		Third-level board pedal, central locking			



L5000 | CARGO TRUCK

Drive		4×2	6×4	
GVW (t)		12-18	25	
Main configuration	Cab	Type	Medium-length flat roof	
		Suspension	Front fixed rear hydraulic suspension	
		Air conditioner	Electric air conditioning	
	Engine	Model	ISD6.7/D6.7	
		Emmission standard	EURO V/EURO VI	
		Rated power (hp)	245-300/230-290	
	Transmission	Model	MT/AMT	
	Axle	Front axle	4.8t	
		Rear axle	10t	11.5t
		Ratio	4.625	
	Chassis	Dimension (mm)	870×250 (7+4)	850×270(8+4)
		Wheel base (mm)	5700	5575+1400
		Wheel overhang (mm)	2600	
Fuel tank		300L	400L	
Tire		295/80R22.5/11R22.5		
Suspension		Front and rear multi-leaf springs		
Container (mm)		7750×2450×2500	9000×2450×2500	
Applicable condition	Application	Short and medium distance intercity logistics transportation		
	Economic/Max speed (km/h)	65-100/120		
Basic equipment		Electric air conditioning, two-level board pedal, electric window lifter, hydraulic main seat, single berth, front fixed rear hydraulic suspension, side-mounted air filter, central locking (with remote control), yellow sun visor lamp, LED daytime running lights, reversing buzzer		
Options		Third seat, electric flip, four-point hydraulic suspension, air main seat, multi-function steering wheel (with cruise), electric heated rearview mirror, single cooling air conditioning		